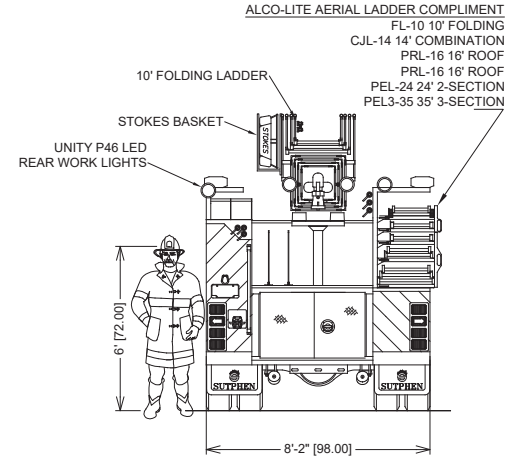
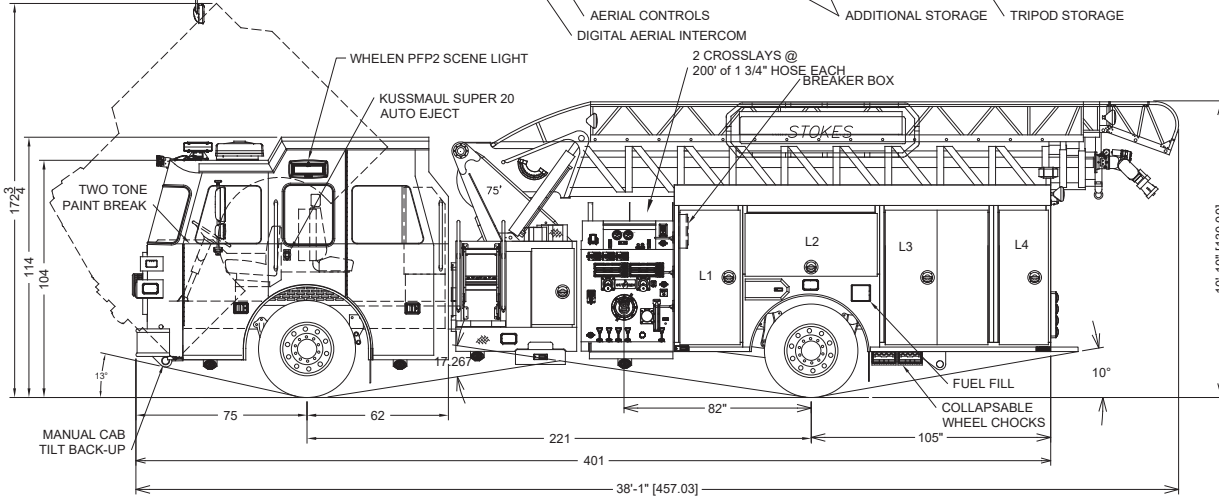
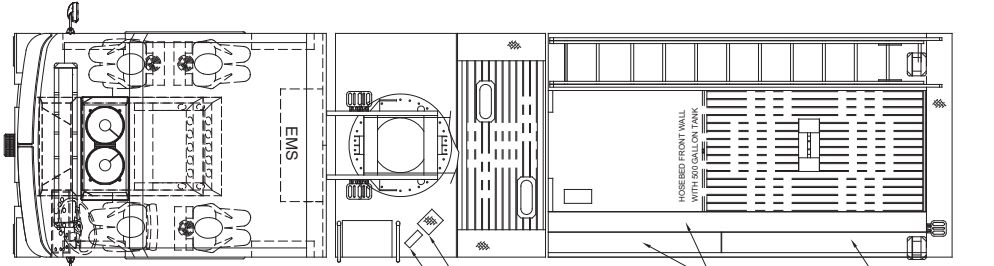
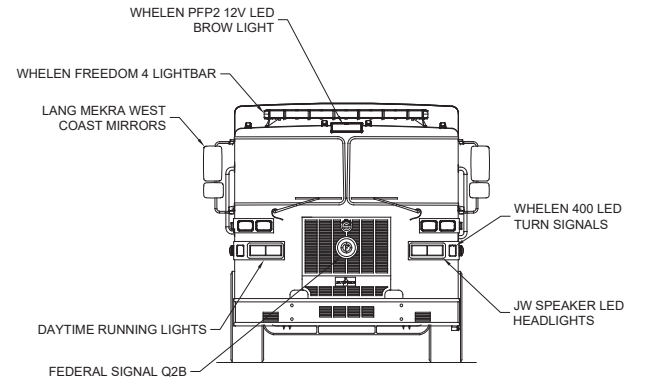
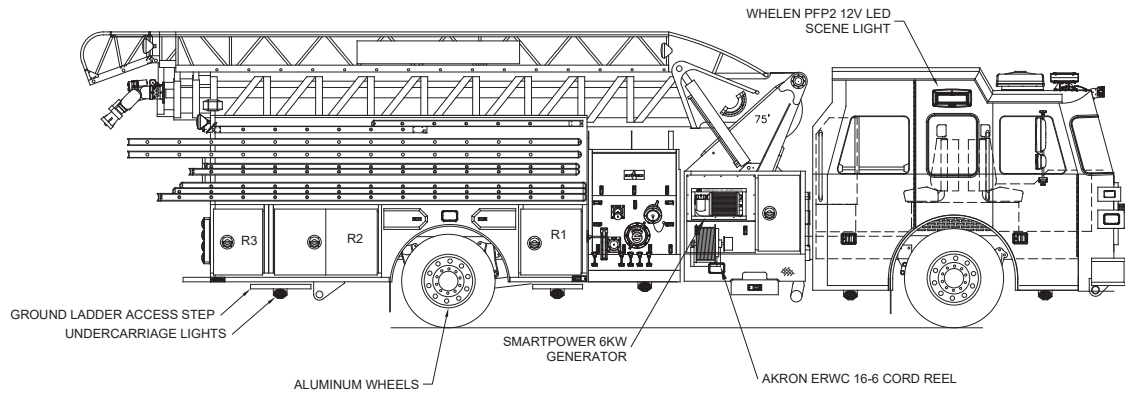


COMPT	DOORS	OPENING DIMENSIONS	INSIDE DIMENSIONS	VOLUME
L1	HINGED	22.75"W x 53.00"H	29.75"W x 59.00"H x 17.75"D	18.02 CU. FT.
L2	HINGED	51.50"W x 24.00"H	60.00"W x 28.25"H x 17.75"D	17.41 CU. FT.
L3	HINGED	42.00"W x 53.00"H	49.75"W x 59.00"H x 17.75"D	39.15 CU. FT.
L4	HINGED	17.75"W x 53.00"H	22.25"W x 59.00"H x 17.75"D	13.48 CU. FT.
A1	ROLL-UP	44.50"W x 20.50"H	53.00"W x 29.75"H x 47.75"D	43.57 CU. FT.

COMPT	DOORS	OPENING DIMENSIONS	INSIDE DIMENSIONS	VOLUME
R1	HINGED	22.75"W x 38.00"H	29.75"W x 30.00"H x 22.75"D	11.75 CU. FT.
R2	HINGED	42.00"W x 38.00"H	49.75"W x 30.00"H x 22.75"D	19.64 CU. FT.
R3	HINGED	17.75"W x 38.00"H	22.25"W x 30.00"H x 22.75"D	8.78 CU. FT.
TOTAL VOLUME				162.01 CU. FT.



DIMENSIONS SHOWN ON THIS DRAWING ARE APPROXIMATE AND ARE SUBJECT TO MINOR DEVIATIONS DURING CONSTRUCTION.

IN THE EVENT OF A DISCREPANCY BETWEEN THE SUTPHEN SPECIFICATIONS AND DRAWING, THE SUTPHEN SPECIFICATIONS SHALL PREVAIL.

DRAWING IS FOR REFERENCE ONLY. SOME ITEMS PROPOSED MAY NOT BE SHOWN OR NOTED.

CUSTOMER APPROVAL

NAME: _____

TITLE: _____

DATE: _____

REV.	DESCRIPTION	BY	DATE

DRAWN BY: APF
DATE: 11/6/2018
MFG FACILITY: HILLIARD

DURHAM FIRE DEPT
DURHAM, NC
SA75
HS-6389